

## SPECIFICATION

### Accuracy:

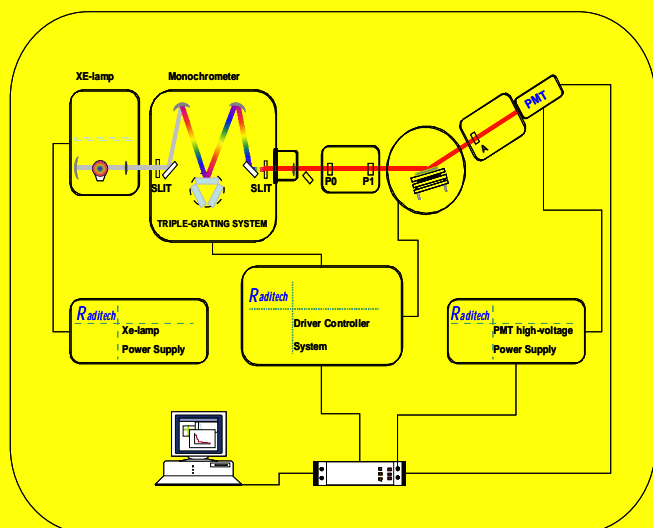
Thickness :  $\pm 1\%$  12 Å on 1200Å thermo oxide on silicon traceable from NIST standard  
N :  $\pm 0.01$  at 632.8nm.

### Repeatability:

(1 sigma, 5 times),  
Thickness :  $\pm 5$  Å (1  $\sigma$ )

N :  $\pm 0.0075$ (1  $\sigma$ ) at 632.8 nm.

## STANDARD FEATURES



Optical Photograph

### Sample Stage System

ØUp to  $\varnothing$  200 mm & Thickness: 10 mm

### Electronics

ØAuto-calibrated Polarizer & analyzer  
ØHigh stability Xe-lamp power supply system,  
ØExclusive power control system  
ØDriver system

ØEquivalent to 200 c/sec background noise



### Source Module

ØXenon arc Lamp 75 W  
Ø (MTBF >2000Hours)  
ØSpectral range 185 - 2000 nm

### Monochromator

ØTriple- grating design(1200/mm)  
ØBlazed wavelength:250, 500 & 750nm  
ØResolution: <1nm

### Polarizer and Analyzer System

ØHigh quality Glan-Taylor prisms  
Ø260-2500 nm transparency  
ØExtinction ratio: 10E5  
ØBeam divergence : less 2 arc min

### UV/VIS/NIR Detector

ØLow dark current: 25 nA  
ØMaximum count rate: 106 / sec  
ØRise/Transit time: 15ns/60ns

致东光电科技（上海）有限公司

TEL: 86-21-51306899

Contact: 王经理 Email: [tracy@raditech.com.cn](mailto:tracy@raditech.com.cn) Mobile: 13818368009

Website: [www.raditech.com.cn](http://www.raditech.com.cn)

FAX: 86-21-51306898

## SOFTWARE FEATURE

WIN-Galaxy automated calibration, measurement, analysis Software

Ø Push button Operator and Engineer mode architecture

Ø Regression and extraction of physical parameters

Ø The largest n,k database available

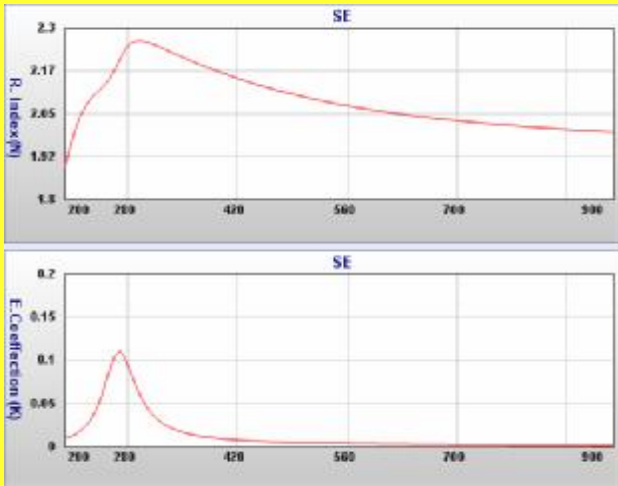
## APPLICATIONS

Ø SOLAR CELL

AR-Coating

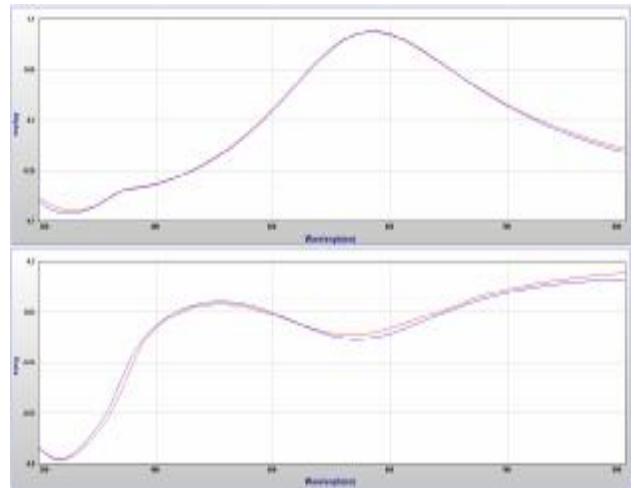
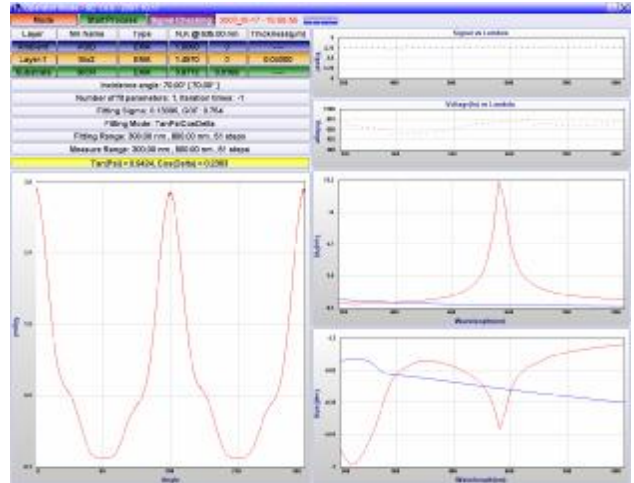
Ø TFT-LCD

SiO<sub>x</sub>, SiN<sub>x</sub>, a-Si:H, N+a-Si ...



## Galaxy-MODLE

Series No	Spectra Range (nm)	Incident Angle	Dark Room	Series No	Spectra Range (nm)	Incident Angle	Dark Room
Galaxy-SMT	637	Manual	N	Galaxy-SAT	637	Auto	N
Galaxy-VMT	350-850	M	N	Galaxy-UMT	260-850	M	N
Galaxy-VMD	350-850	M	Y	Galaxy-UMD	260-850	M	Y
Galaxy-VAT	350-850	A	N	Galaxy-UAT	260-850	A	N
Galaxy-VAD	350-850	A	Y	Galaxy-UAD	260-850	A	Y
Galaxy-NMT	350-900	M	N	Galaxy-FMT	260-900	M	N
Galaxy-NMD	350-900	M	Y	Galaxy-FMD	260-900	M	Y
Galaxy-NAT	350-900	A	N	Galaxy-FAT	260-900	A	N
Galaxy-NAD	350-900	A	Y	Galaxy-FAD	260-900	A	Y



Ø SEMI

High-k: Al<sub>2</sub>O<sub>3</sub>, SiO<sub>2</sub>, Si<sub>3</sub>N<sub>4</sub>, SiN<sub>x</sub> ...

Low-k: SiOC, SiOF, SOG, BPSG ...

Ø OLED

AlQ<sub>3</sub>, CuPc...

致东光电科技（上海）有限公司

TEL: 86-21-51306899

Contact: 王经理 Email: [tracy@raditech.com.cn](mailto:tracy@raditech.com.cn) Mobile: 13818368009

Website: [www.raditech.com.cn](http://www.raditech.com.cn)

FAX: 86-21-51306898